



What to prepare

- Paper that is somewhat thick
- Scissors, cutter • Cutter mat
- Ruler • Pencil • Tweezers
- Ballpoint pen that can no longer write, or stylus
- Adhesive (strong adhesive is recommended)

Assembly procedure

1. Print out the parts pages with a printer.
2. Before cutting a part, write its part number on the back of it with a pencil.
3. Before cutting a part, use a ballpoint pen that can no longer write, or a stylus, to trace along its fold lines and make creases.
4. Cut out the part along the cut-out line.
5. Fold the dotted line according to the instructions for mountain-folding and valley-folding.
6. Glue and assemble the various parts according to the illustrations.

Explanation of symbols

- | | | | | |
|--------------------|-------------------|----------------------------|---------------------------|-----------------------------------|
| Cut-out line | Slit-cutting line | Cut-through | Glue | Glue to the front of another part |
| Mountain fold line | Valley fold line | 1,2... Part numbers | Glue within the same part | Glue to the back of another part |

Notes

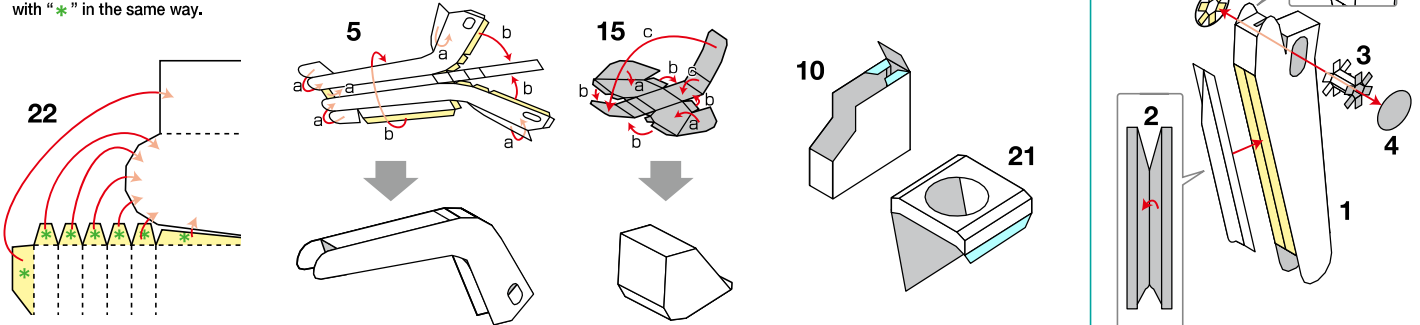
- When using scissors, cutters, adhesives, etc. that may be dangerous to infants, keep them out of infants' reach.
- When using scissors or a cutter, be careful not to cut your fingers, etc.
- Be careful not to get injured by the cross section or edge of the paper.

1 Assembly of "*"

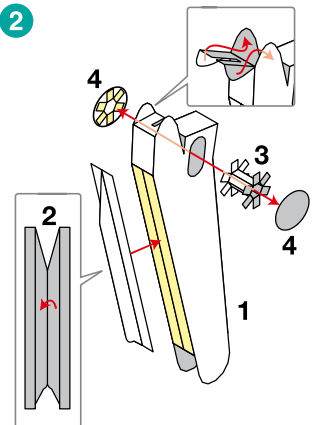
Glue the area indicated with "*" on the part within the same part. Assemble all other parts marked with "*" in the same way.

For parts 5 and 15, paste the backs together in sequence starting from "a", then glue the tabs marked with "*" .

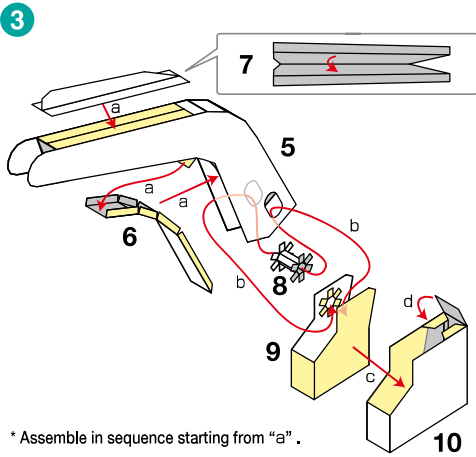
The light blue areas of Parts 10 and 21 will be glued in a later process, so glue the other tabs marked with "*" first.



2

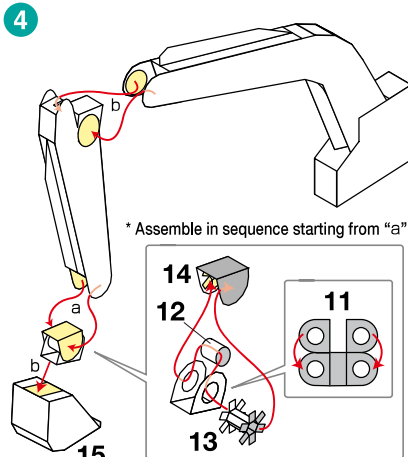


3



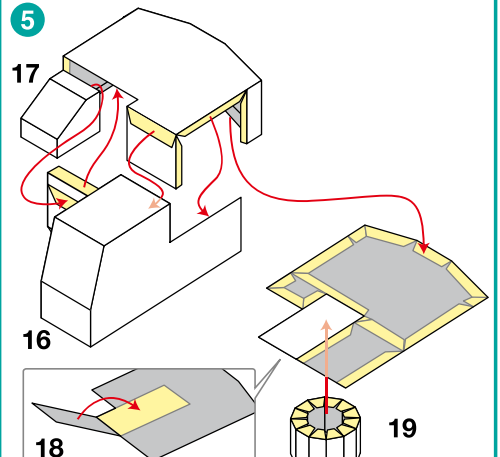
* Assemble in sequence starting from "a" .

4

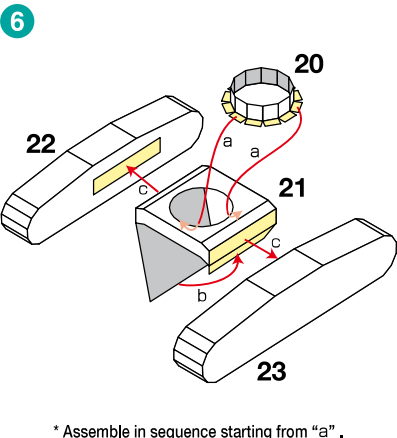


* Assemble in sequence starting from "a" .

5

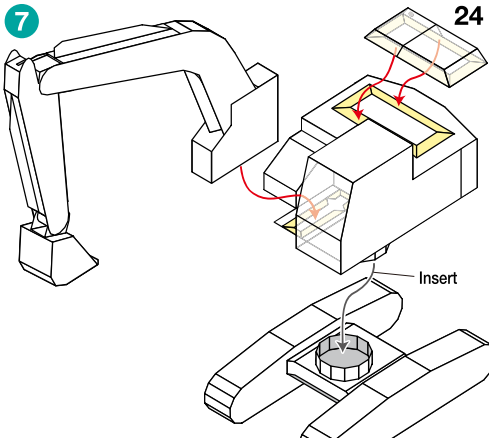


6



* Assemble in sequence starting from "a" .

7



8

